



## Technical Data Sheet

### DOWSIL™ 895 Structural Glazing Sealant

#### FEATURES & BENEFITS

- Meets European standards for structural glazing application, as developed by EOTA
- Excellent adhesion to a wide range of substrates including coated, enameled and reflective glasses and polyester coated aluminum profiles and stainless steel profiles
- Odorless and non-corrosive cure system
- One-component product
- Resistant to ozone
- Excellent stability through wide range of temperatures: -50°C to 150°C
- The cured product exhibits excellent weathering characteristics, and a high resistance to ultra-violet radiation heat and humidity
- High tensile strength makes it ideally suited for structural bonding applications

One-part silicone sealant.

#### APPLICATIONS

- DOWSIL™ 895 Structural Glazing Sealant is a one component silicone sealant used for structural glazing.

#### TYPICAL PROPERTIES

Specification writers: These values are not intended for use in preparing specifications.

Test*	Property	Unit	Value
	<b>As supplied</b>		
	Specific gravity		1.43
	Slump or flow	mm	0
	Tack-free time (25°C, 50% R.H.)	minutes	60
	Cure schedule (25°C, 50% R.H.)		
	- after 24 hours	mm	2.2
	- after 72 hours	mm	3.5
	(See also Optimal Glazing Conditions)		
	<b>As cured - after 7 days at 25°C and 50% RH</b>		
ASTM D2240	Durometer hardness, Shore A	Points	38
ASTM D0412	Ultimate elongation	%	600
ASTM D0412	Tensile strength, at 100% elongation	MPa	0.7
ASTM D0412	Tensile strength, at ultimate elongation	MPa	2.85
ASTM D624	Tear strength	kN/m	19
	<b>H-Piece Testing</b>		
ISO 8339	Ultimate elongation	%	260
ISO 8339	Tensile strength	MPa	1.06
ISO 8339	Young modulus	MPa	1.0
	Sealant dynamic design load	Pa	140,000
	Sealant static design load	Pa	7,000
	Service temperature range	°C	-50 to +150
	Working time	minutes	15

\*ASTM: American Society for Testing and Materials.

ISO: International Standardization Organization.

#### DESCRIPTION

DOWSIL 895 Structural Glazing Sealant is a one-part neutral curing silicone sealant designed specifically for the structural bonding of glass, metal, and other building components.

It can also be used to adhere stiffening elements to building panels and for other similar adhesive applications.

Neutral alkoxy cures at room temperature on exposure to water vapor in the air, giving off a small amount of methanol.

#### TECHNICAL SPECIFICATIONS AND STANDARDS

DOWSIL 895 Sealant exhibits a high level of physical properties and

adhesive performances which are retained even after aging as detailed by EOTA (Ref: INV 96/BE.35).

CE Marked (ETA 01/005) as structural glazing sealant component according to ETAG002, the European Technical Guidelines for structural glazing with a level of attestation of 1. (external quality audit) valid in all EC countries.

Meets structural glazing sealant requirements according to PrEN13022, SNJF VEC and Vi-VEC.



## INSTALLATION

For structural glazing use, DOWSIL 895 Sealant should be factory-applied. Factory application helps ensure optimal sealing conditions and performance. Job-site application should only be carried out for remedial work, or when the glazing design does not allow otherwise.

This adhesive meets European Standard for structural glazing application the EOTA guidelines for SSGS.

### Joint Design

As a general rule, structural sealant joints made with DOWSIL 895 Sealant should have a width between 6 mm and 15 mm. However, the exact width is determined by the structural calculations. The width (dimension y) of the structural sealant joint should also be calculated to accommodate thermal and dynamic movements but as a rule should not be less than 6 mm.

### Accessory selection

The appropriate selection of all accessories such as setting blocks and backing materials is of primary importance in avoiding discoloration or adhesion-related problems due to incompatibility. Dow will also assess

the suitability of proposed accessory materials as part of the standard testing services. Closed cell polyethylene foam is the recommended backer material for most joints. Silicone-based setting blocks are generally recommended for best compatibility.

Some typical examples of joint designs are shown in Figures 2 and 5.

### Optimal glazing conditions

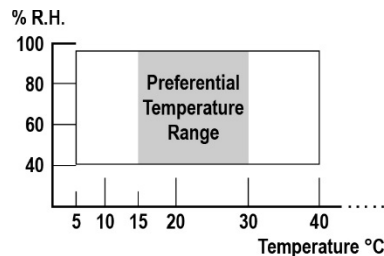
Ideally, all glazing should be done in factory and within the following conditions of temperature and humidity:

Temperature conditions:  
5°C to 40°C

Humidity conditions:  
40% to 95%

Recommended temperatures range:  
from 15°C to 30°C

**Figure 1: Humidity cure envelope for DOWSIL 895 Sealant.**



Any combination of the above conditions will ensure a cure schedule sufficient to allow transportation of the glazed modules within 21 days, depending on joint configuration. Consult technical services for specific advice.

### Preparatory work

Clean all joints and glazing pockets, removing all contaminants such as grease, oil, dust, water, frost, surface dirt, old sealant, or glazing compounds and protective coatings. Metal, glass and plastic surfaces should be cleaned by mechanical or solvent procedures,

Where used solvent should be wiped on and off with clean, oil and lint free cloths.

### Priming

Priming is not usually required when using DOWSIL 895 Sealant. However, it is essential that adhesion be tested prior to use. Specific primer recommendations will be on a project basis. Please contact technical service for further advice.

### Masking and tooling

Areas adjacent to joints may be masked to ensure a neat sealant line. Do not allow masking tape to touch clean surfaces to which the sealant is to adhere. Tooling should be completed in one continuous stroke within 5 minutes after sealant application. Masking tape should be removed immediately after tooling.

### Application method

Install the backing material, setting blocks and spacer tapes as specified. Apply DOWSIL 895 Sealant in a continuous operation using positive pressure to properly fill and seal the joint. Tool the sealant with slight pressure to spread it against the backing material and the joint surfaces. A tool with a concave profile is recommended to keep the sealant within the joint.

### MAINTENANCE

No maintenance is needed. If sealant becomes damaged, replace damaged portion.

DOWSIL 895 Sealant will adhere to compatible cured silicone sealants which exhibits a clean knife-cut or abraded surface.

## **HANDLING**

### **PRECAUTIONS**

#### **PRODUCT SAFETY**

**INFORMATION REQUIRED FOR SAFE USE IS NOT INCLUDED IN THIS DOCUMENT. BEFORE HANDLING, READ PRODUCT AND SAFETY DATA SHEETS AND CONTAINER LABELS FOR SAFE USE, PHYSICAL AND HEALTH HAZARD INFORMATION. THE SAFETY DATA SHEET IS AVAILABLE ON THE DOW WEBSITE AT WWW.CONSUMER.DOW.COM, OR FROM YOUR DOW SALES APPLICATION ENGINEER, OR DISTRIBUTOR, OR BY CALLING DOW CUSTOMER SERVICE.**

#### **USABLE LIFE AND STORAGE**

When stored at or below 30°C in the original unopened containers, DOWSIL 895 Structural Glazing Sealant has a usable life of 12 months from the date of production.

#### **PACKAGING INFORMATION**

This product is available in 250 kg drums, 20 liter pails, 310 ml cartridges (12 per box) and 600 ml sausages.

#### **LIMITATIONS**

DOWSIL 895 Sealant should not be used for structural applications without the prior written approval of Dow Construction Industry Technical Services Department. Each project should be specifically and separately approved by Dow.

This product is neither tested nor represented as suitable for medical or pharmaceutical uses.

#### **HEALTH AND ENVIRONMENTAL INFORMATION**

To support customers in their product safety needs, Dow has an extensive Product Stewardship organization and a team of product safety and

regulatory compliance specialists available in each area.

For further information, please see our website, [www.consumer.dow.com](http://www.consumer.dow.com) or consult your local Dow representative.

#### **LIMITED WARRANTY INFORMATION – PLEASE READ CAREFULLY**

The information contained herein is offered in good faith and is believed to be accurate. However, because conditions and methods of use of our products are beyond our control, this information should not be used in substitution for customer's tests to ensure that our products are safe, effective, and fully satisfactory for the intended end use. Suggestions of use shall not be taken as inducements to infringe any patent.

Dow's sole warranty is that our products will meet the sales specifications in effect at the time of shipment.

Your exclusive remedy for breach of such warranty is limited to refund of purchase price or replacement of any product shown to be other than as warranted.

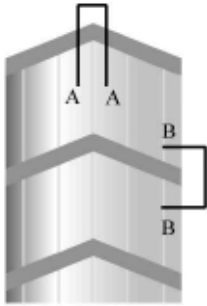
**TO THE FULLEST EXTENT PERMITTED BY APPLICABLE LAW, DOW SPECIFICALLY DISCLAIMS ANY OTHER EXPRESS OR IMPLIED WARRANTY OF FITNESS FOR A PARTICULAR PURPOSE OR MERCHANTABILITY.**

**DOW DISCLAIMS LIABILITY FOR ANY INCIDENTAL OR CONSEQUENTIAL DAMAGES.**

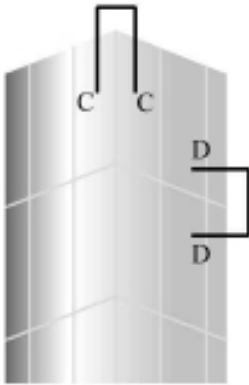
[www.consumer.dow.com](http://www.consumer.dow.com)

**Typical Examples of Joint Design**

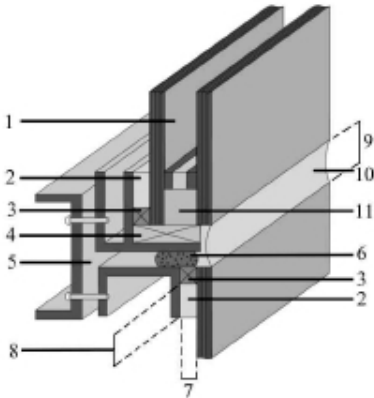
**Figure 2:** System for 2-sided structural glazing.



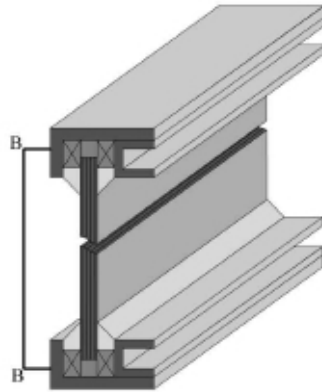
**Figure 3:** System for 4-sided structural glazing.



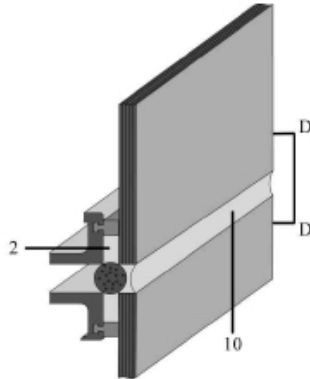
**Figure 4:** Design with supported insulating glass unit.



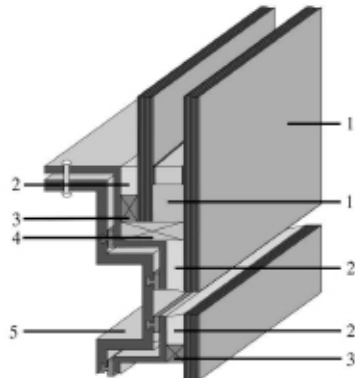
**Figure 2A:** Transom detail. Examples of structural glazing designs: 2-sided design (installed on site).



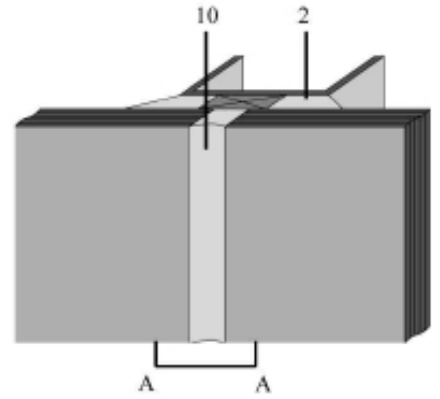
**Figure 3A:** Transom detail. Examples of structural glazing designs: 4-sided design (factory glazed).



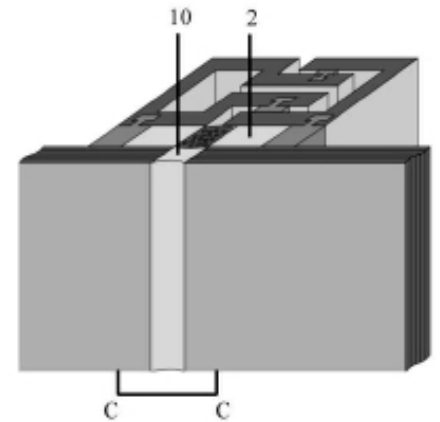
**Figure 5:** Design with stepped insulating glass unit.



**Figure 2B:** A mullion detail.



**Figure 3B:** A mullion detail.



**Legend**

1. Insulating glass unit
2. Silicone structural seal (DOWSIL 895 Structural Glazing Sealant)
3. Silicone sealant spacer block
4. Silicone setting block
5. Aluminum profile
6. Backer rod
7. Structural sealant width
8. Structural sealant bite
9. Weatherseal dimension
10. Silicone weatherseal (DOWSIL™ 791 Silicone Weatherproofing Sealant)
11. Silicone insulating glass seal (DOWSIL™ 3362 Insulating Glass Sealant)

